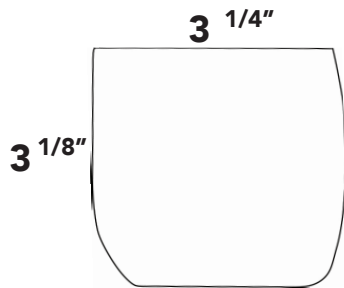
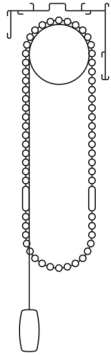
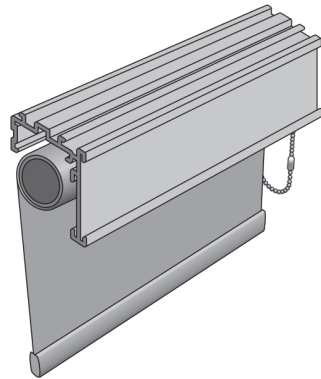


# DESIGNER ROLLER SHADES

## Headbox Options

### Open Fascia

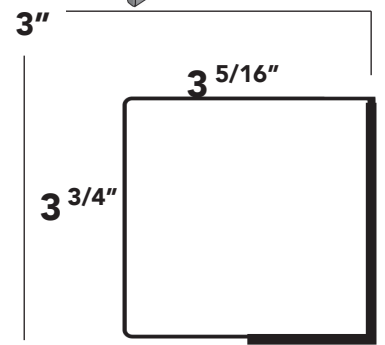
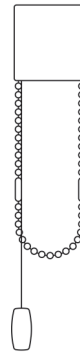
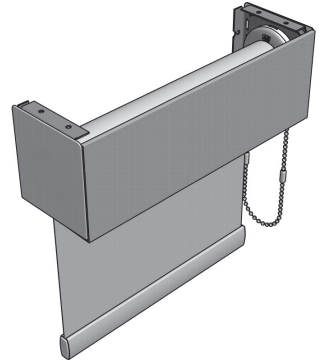
Color Options



Endcap  
Bracket Side View

### 3" or 4" Square Fascia

Color Options

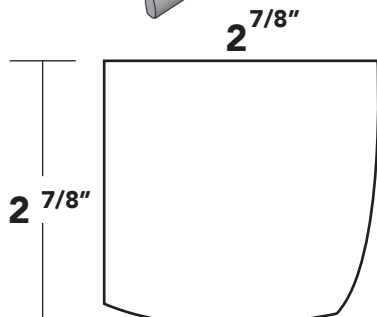
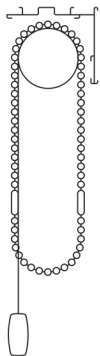
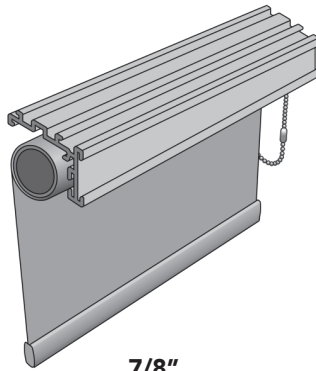
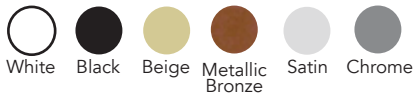


Bracket Side View

4" = 4" w x 4 3/16"

### Open Cassette

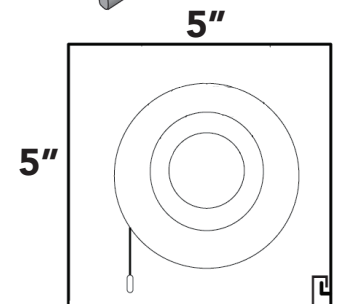
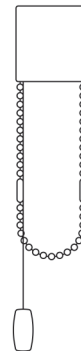
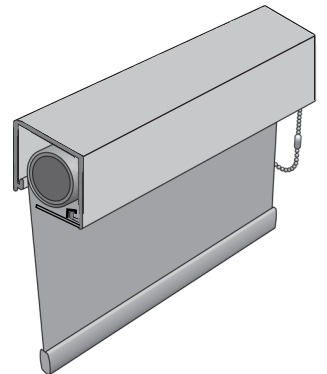
Color Options



Endcap  
Bracket Side View

### 5" x 5" Pocket & Flap

Color Options



3" Flap  
Bracket Side View

## LuXout Shades SPECIFICATION SUBMITTAL

Job Name:	Model Numbers:	
<input type="text"/>	<input type="text"/>	<input type="text"/>
Job Number:	<input type="text"/>	<input type="text"/>