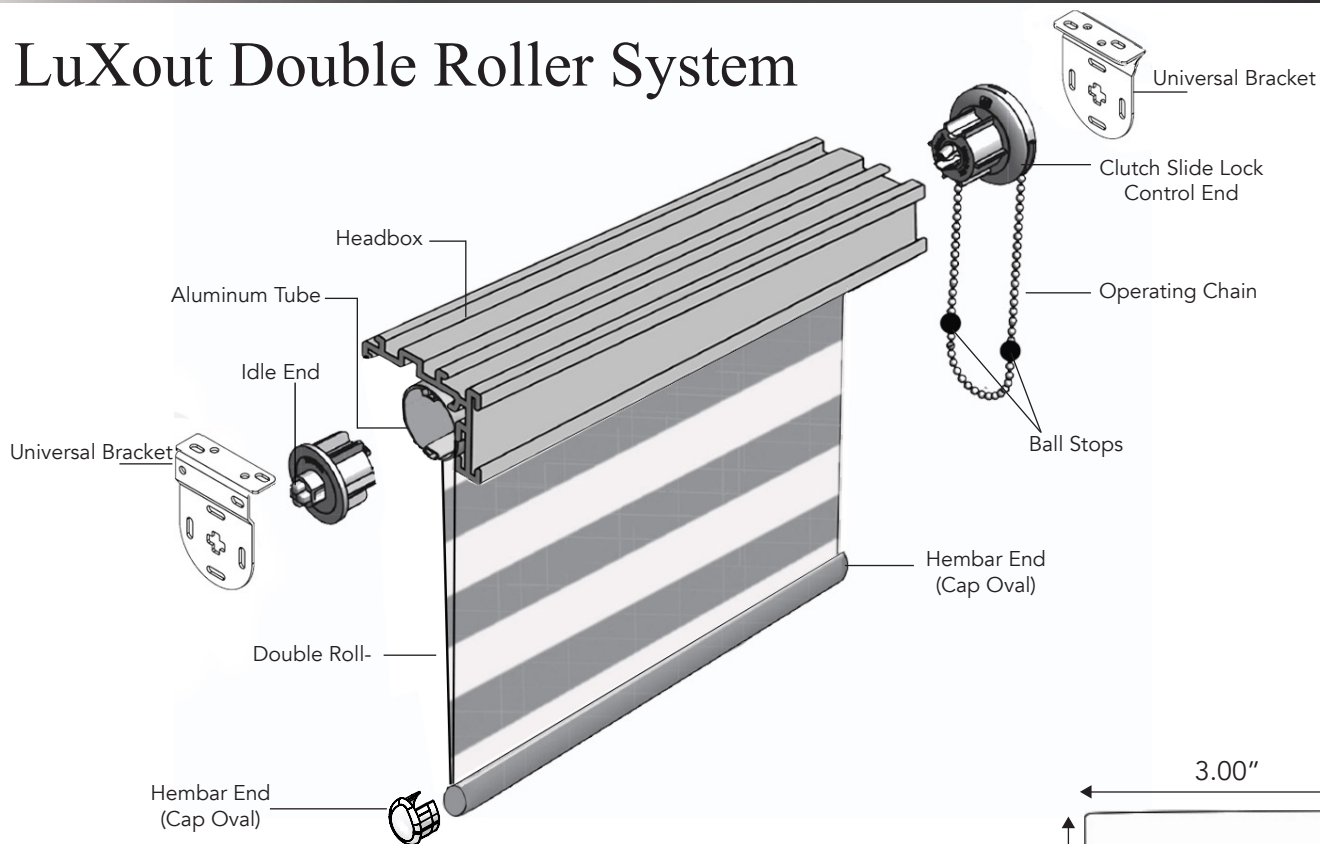


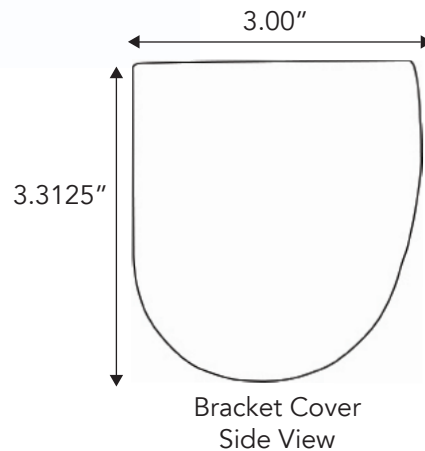
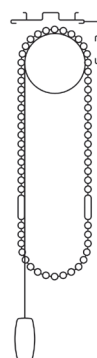
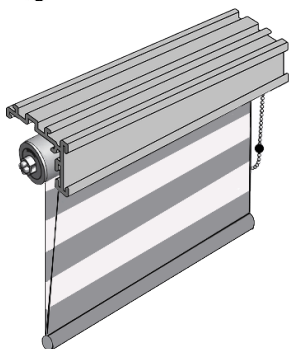
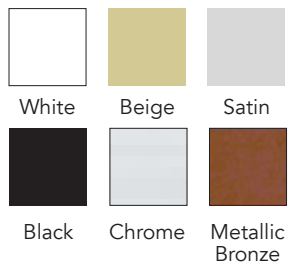
# DOUBLE ROLLER SHADES

# TECHNICAL INFORMATION

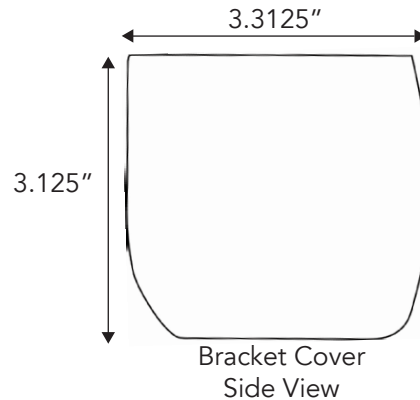
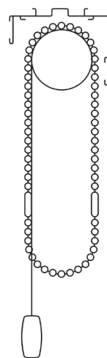
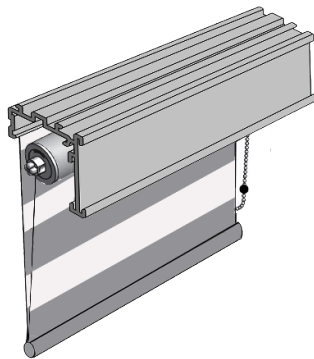
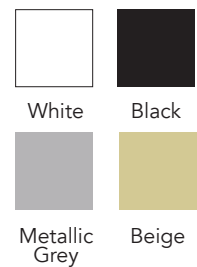
## LuXout Double Roller System



### Open Cassette



### Open Fascia



### SPECIFICATION SUBMITTAL

<b>JOB NAME</b>	<b>MODEL NUMBERS</b>		
<input type="text"/>	<input type="text"/>	<input type="text"/>	<input type="text"/>
<b>JOB NUMBER</b>	<input type="text"/>	<input type="text"/>	<input type="text"/>