

DESIGNER ROLLER SHADES

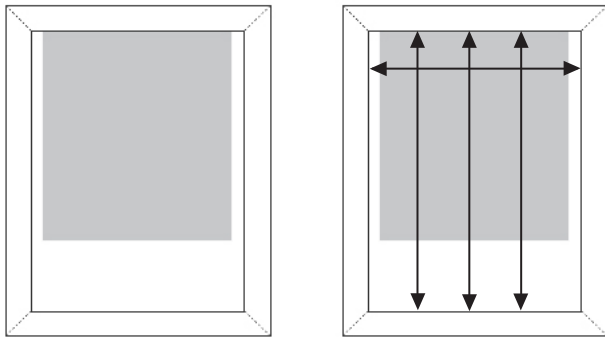
How to Measure

IT ALL STARTS WITH THE MOUNT TYPE

How do you want to hang your shade?
Inside the window frame? Outside the window frame?
There are benefits to each and some important differences.

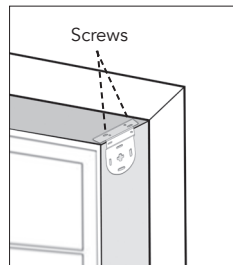
FOLLOW THESE STEP-BY-STEP INSTRUCTIONS

INSIDE MOUNT



FEATURES:

- Mounted inside the window's frame
- Provides a clean built-in look
- Leaves attractive woodwork exposed
- There is a 3/4" minimum amount of space needed for this mount type. We call this measurement the *minimum mounting requirement*.



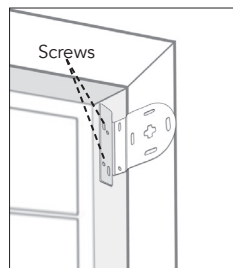
JAMB MOUNT UPWARD

STEP 1

Measure the inside width at the top of your window (to the nearest 1/8"). This is your ordering width. We will make the necessary deductions (approx. 1/8").

STEP 2

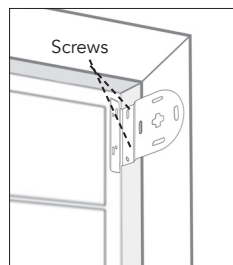
Measure the height at 3 locations - the left side, middle and right side. Record the largest of the 3 measurements. This is your ordering length.



MOUNT ON FRAME

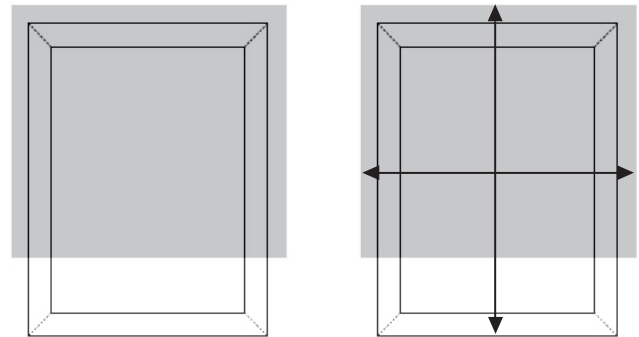
Important Notes:

Shade fabric panels will be approximately 1.5" narrower than your ordering width to allow for brackets. If concerned over resulting light gap, please select outside mount.



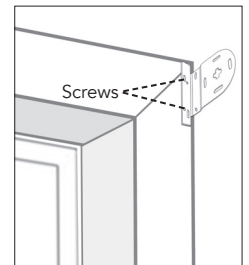
SIDE JAMB MOUNT

OUTSIDE MOUNT



FEATURES:

- Mounted outside or on top of the window's frame or wall
- Provides a tailor, more dramatic appearance
- Leaves attractive woodwork exposed
- There is no minimum depth requirement



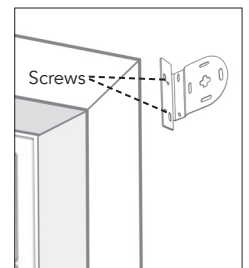
CASING/FRAME MOUNT

STEP 1

Measure the width of the area you wish to cover. If space allows, we recommend adding 3-4" (1 1/2" - 2" each side) to this measurement to help eliminate light seepage. This is your ordering width and will be the overall measurement bracket to bracket.

STEP 2

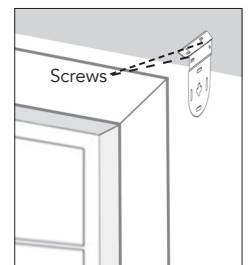
Measure the height of the area you wish to cover. This is your ordering length.



OUTSIDE MOUNT ON WALL

Important Notes:

You shade fabric will be approximately 1.5" narrower than the measurement you provide to allow for brackets. If you need the material to cover a specific width (i.e. for mounting the shade on a door), add 1.5" to the desired fabric width and this will be your ordering width.



CEILING MOUNT