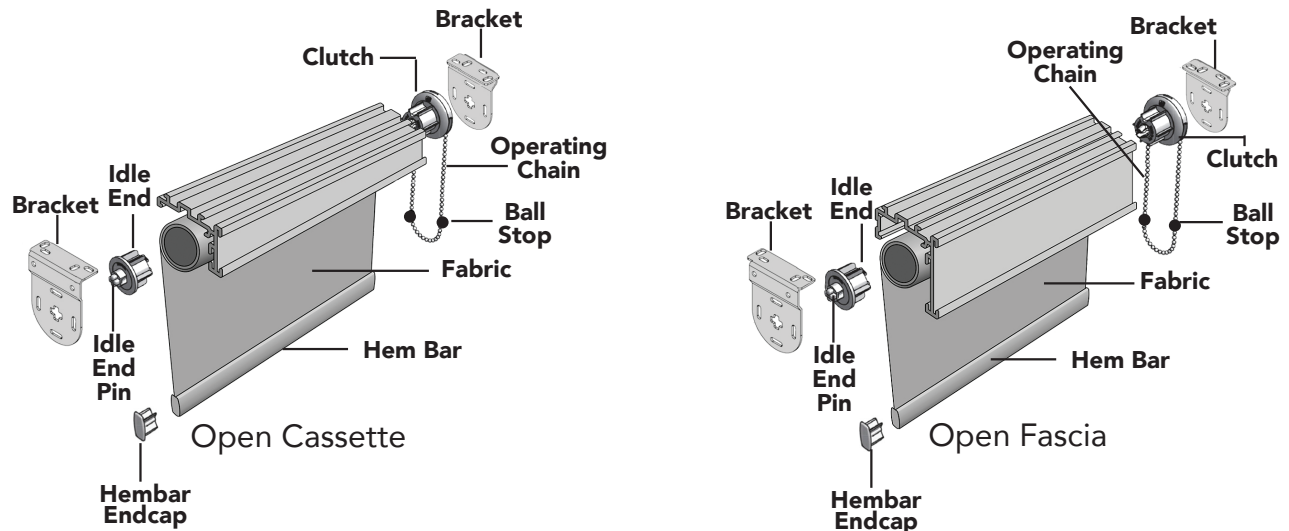


# INSTRUCTIONS

## Designer Roller Shade & Vision Shade

### Open Cassette & Open Fascia

### Overview

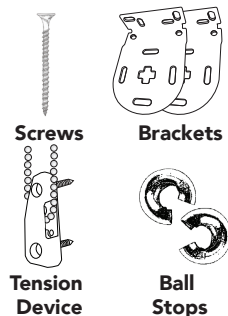


### Getting Started

We recommend reading through these instructions before starting the installation. Carefully unpack your shades and check to make sure you have the following installation parts.

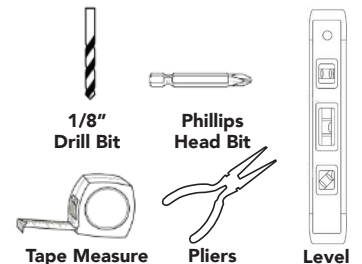
#### Packaged Contents:

- Screws (4)
- Mounting brackets (2)
- Child safe tension device (if not motorized)
- Ball stops (2) (clutch operated)
- Bracket covers (2)



#### Tools Needed:

- Drill with a 1/8" bit & a 1/4" phillips head bit
- Level
- Metal tape measure
- Needle nose pliers



Please note that your brackets must be securely attached to the mounting surface. If your screws do not hit wood studs you will need to use a different fastener which can be found at any local hardware store.

#### Important Note:

According to the Window Covering Manufacturers Association Inc., all labels must not be removed from the product.

To comply with Child Safety Standards, all tension devices must be installed per the installation instructions provided.

**LuXout Shades**

SPECIFICATION SUBMITTAL

Job Name:	Model Numbers:	
<input type="text"/>	<input type="text"/>	<input type="text"/>
Job Number:	<input type="text"/>	<input type="text"/>

# INSTRUCTIONS

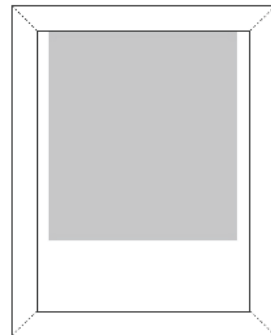
## Designer Roller Shade & Vision Shade

### Open Cassette & Open Fascia

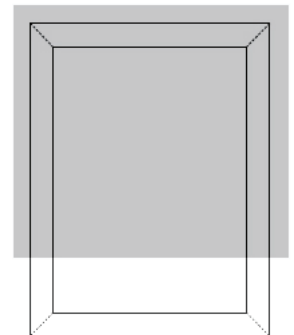
#### 1). Determine How You Want to Install

**Inside (A) or Outside Mount (B)**

Attach the brackets to the window frame, window moulding, wall or ceiling, as shown in **Steps 2A** and **2B**.

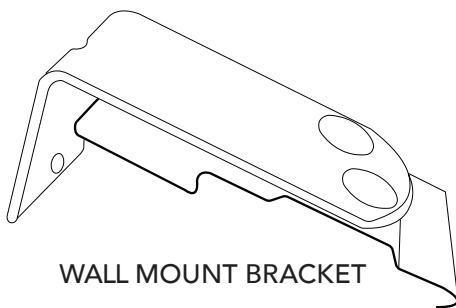


Inside Mount  
**A**



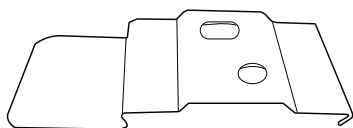
Outside Mount  
**B**

#### 2). Positioning Brackets



WALL MOUNT BRACKET

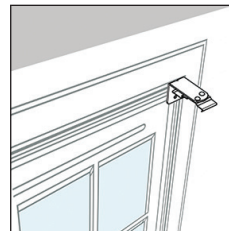
OR



CEILING MOUNT BRACKET

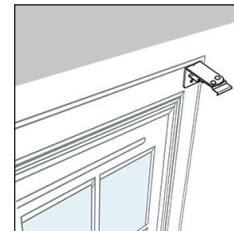
#### A). Wall Mounting Brackets

Option #1



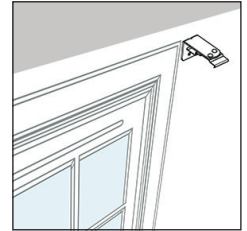
JAMB MOUNT

Option #2



FRAME MOUNT

Option #3



WALL MOUNT

#### B). Ceiling Mounting Brackets

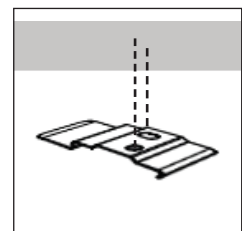
Option #1

JAMB CEILING MOUNT



Option #2

CEILING MOUNT



SPECIFICATION SUBMITTAL

Job Name: <input style="width: 90%;" type="text"/>	Model Numbers: <input style="width: 95%;" type="text"/>	
Job Number: <input style="width: 80%;" type="text"/>	<input style="width: 95%;" type="text"/>	<input style="width: 95%;" type="text"/>

# INSTRUCTIONS

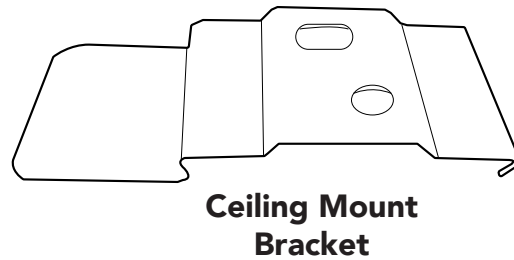
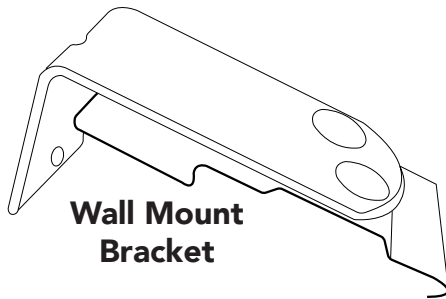
## Designer Roller Shade & Vision Shade

### Open Cassette & Open Fascia

### 3). Install Mounting Brackets

- If installing into wood use the wood screws provided
- Brackets should be installed within six inches from each end, and at every two foot increments of the cassette.

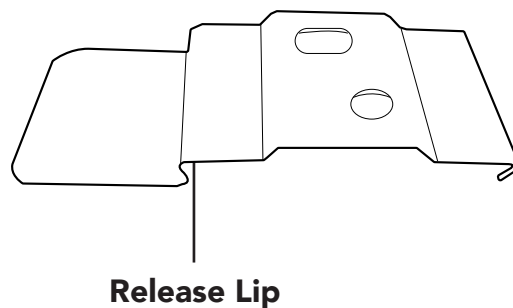
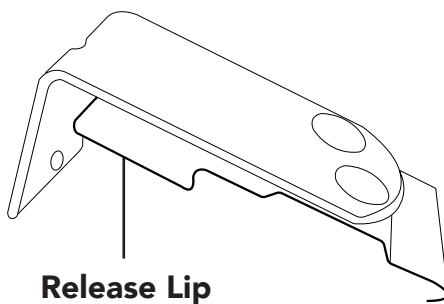
There are two bracket options for open cassette and open fascia shades: Wall or Ceiling mount.



For a shade up to 36" wide, attach two brackets mounted approximately 3" from each end of the shade. Any intermediate brackets should be spaced evenly between these and as a general rule:

**Up to 36" = 2 brackets**  
**36" to 72" = 3 brackets**  
**72" to 108" = 4 brackets**  
**Over 108" = 5 brackets**

The bracket release lip on the bracket must face the back of the shade.



Mark the hole positions and predrill before fastening the brackets. Use two screws in each bracket ensuring that the brackets are level. Remember to allow room for the shade to clear any obstacles when deployed, e.g. door or window handles.

Job Name:	Model Numbers:	
Job Number:		

# INSTRUCTIONS

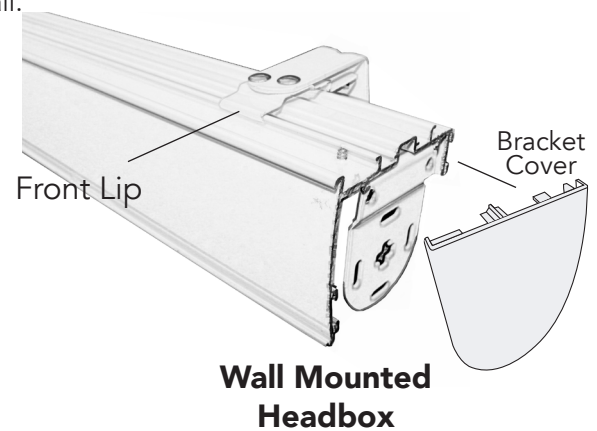
## Designer Roller Shade & Vision Shade

### Open Cassette & Open Fascia

#### 4). Mounting the Headbox

Once all the brackets are in place, install the headbox into the brackets.

- Be sure to attach bracket covers as shown below.
- Hook the front rail of the cassette on the bracket.
- Rotate the back of the cassette up and snap into place.
- If the cassette is longer than four feet, use two people to install.



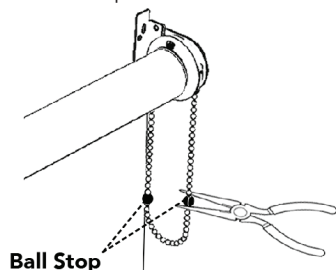
#### 5). Finishing The Install

##### Manual Chain Operated Shade

- Mount the chain tension device (refer to separate instructions provided with the chain tension device). (see fig. 4.1)
- Pull the chain to move the shade to the desired closed position (Note the side being pulled).

##### For Roller Shade Only

- On the opposite side, place a ball stop on the bead closest to the clutch. Use needle nose pliers to clamp ball stop in place.
- Pull the chain to move the shade to the desired open position (note the side that is being pulled).
- On the opposite side, place a ball stop on the bead closest to the clutch. Use needle nose pliers to clamp ball stop in place.
- Vision Shade and Roman Shades are continuous loop chains and do not need ball stops.



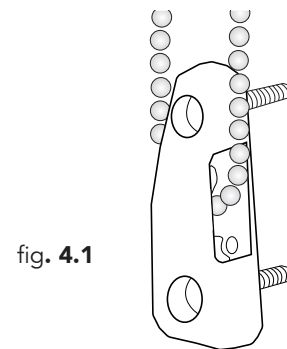
#### 6). Finishing The Install

##### Installing the Tension Device (Continuous Loop Control)

##### Consider Position of Tension Device:

The tension device should be positioned at the window frame or the wall so that the tension device and bead chain do not interfere with operation of window treatment.

- The tension device should be installed so that the bead chain is taut without stretching or pulling down on it.
- Stretching the bead chain will cause excessive wear.
- Do not twist or cross the bead chain.



LuXout Shades

SPECIFICATION SUBMITTAL

Tension Device

Job Name:	Model Numbers:	
<input type="text"/>	<input type="text"/>	<input type="text"/>
Job Number:	<input type="text"/>	<input type="text"/>

# INSTRUCTIONS

## Designer Roller Shade & Vision Shade

### Open Cassette & Open Fascia

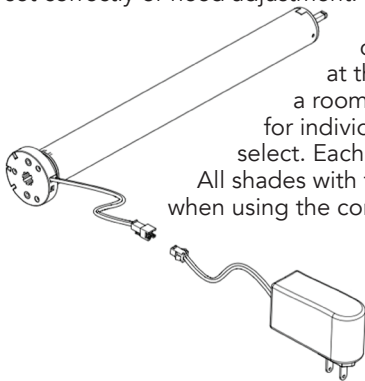
#### 7). Finishing the Install

##### Motorized Shade

With the shade now installed, you may check the preset limits of your shade.

**Note:** Initial limits have been set in factory. Use the motor controller instructions to fine tune.

- Please refer to the separate motor instructions that are specific to your motor.
- Power-up the motor if not a rechargeable battery motor. Rechargeable battery motors are charged in the factory.
- Set the upper and lower limits to desired levels if not already set correctly or need adjustment.



• Setup motor shade controls. (Initial setup is done at the factory with each shade in a room assigned to a different channel for individual control or grouped as you select. Each channel has a blue LED light. All shades with this LED light lit will operate when using the controller.)

See channel guide for each controller.

#### 8). Finishing the Install

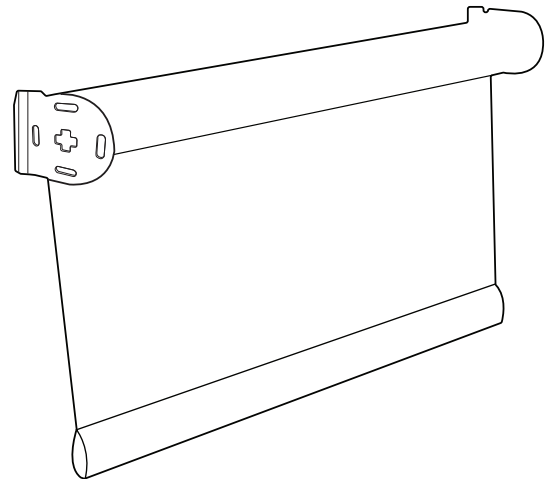
##### Spring Shade

##### (Designer Roller Shade Only)

With the shade now installed, you may use your shade.

**Note:** Initial limits have been set in factory. Use instructions to fine tune.

- **Before operating the shade, be sure to first pull out the spring locking pin.**
- To test shade operation, tilt the hem bar slightly and pull to raise.
- Please refer to the separate spring instructions to adjust spring operation.



Job Name:	Model Numbers:		
Job Number:			