

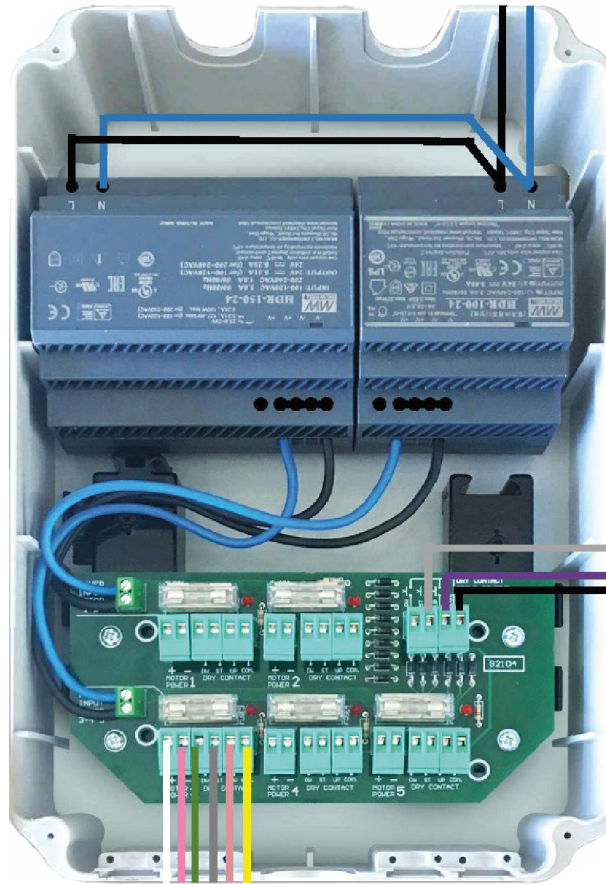
# SED Power Panel Installation Instructions

## ARM5 LSPP-24V-10A-5S 5 Output Power Supply Panel

### Installation Instructions

LuXout Shade 5 Output Power Panel  
For use with LuXout Shades

100 - 120VAC/6.8A  
200 - 240VAC/3.4A  
24VDC 10A



#### SHOCK HAZARD

Risk of serious injury or death. Lock circuit breaker in the off position before servicing.



1221 Admiral Street  
Richmond, VA 23220

LuXoutShades.com  
Office: 800.817.1204

PROJECT: \_\_\_\_\_  
SPECIFIER: \_\_\_\_\_  
CONTRACTOR: \_\_\_\_\_  
SUPPLIER: \_\_\_\_\_  
DATE: \_\_\_\_\_ REVISED: \_\_\_\_\_

# Power Panel

## Installation Instructions

### ARM5 LSPP-24V-10A-5S

## Installation Instructions

LuXout Shade 18 Output Power Panel  
For use with LuXout Shades

100 - 120VAC/6.8A  
200 - 240VAC/3.4A  
12VDC 10A

### Installation Instructions (save these instructions)

**Read and Follow all instructions.**

Tools Required:

Wire Cutter/Stripper

#2 Flat-Head Screwdriver

Power Drill

#2 Phillips Screwdriver

NOTE: Mounting hardware is not included due to the wide variety of wall materials. Customer should determine the appropriate mounting hardware for their specific needs.

Box Contents:                      The Output Power Supply Panel is a surface mount  
LSPP-12V-10A-18S                      ower supply for use with 24 volt powered shades.

## 1 Important Notes

1A

1. All wiring must be in accordance with national and local codes
2. Note: Secondary wiring must be of type CL2, CL2P, CL2R, CL2X or other cable with equivalent or better electrical, mechanical, and flammability ratings in accordance with all local and national electric codes.
3. LSPP-24V-10A-5S needs to be installed by a qualified electrician.
4. Ambient operating temperature: 32 to 104F (0 to 40C), 0-90% humidity, non-condensing.
5. This product is intended for indoor use only.
6. This panel may not be compatible with any other shade devices.



# LUXOUT SHADES

1221 Admiral Street  
Richmond, VA 23220

LuXoutShades.com  
Office: 800.817.1204

PROJECT: \_\_\_\_\_  
SPECIFIER: \_\_\_\_\_  
CONTRACTOR: \_\_\_\_\_  
SUPPLIER: \_\_\_\_\_  
DATE: \_\_\_\_\_ REVISED: \_\_\_\_\_

# Power Panel Installation Instructions

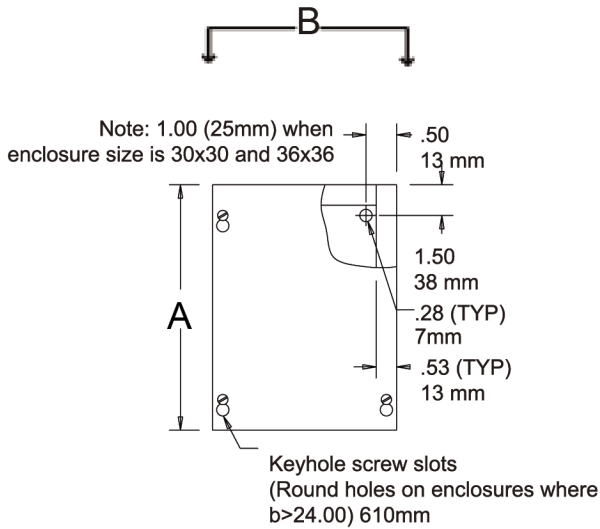
## 2 Installation

2A

1. Choose panel mounting location so line voltage wiring is at least 6 ft (1.8 m) from audio or electronic equipment and associated wiring (prevents radio frequency interference).
2. (1.8 m) from audio or electronic equipment and associated wiring (prevents radio frequency interference).
3. Use fasteners rated for a 25 lb (11,3 kg) load.

**NOTES:**

- Mount the Power Panel in a position where it can be easily located and accessed if service or troubleshooting is necessary.
- Mount the LSPP-24V-29A-5S in the orientation shown (Mounting Hardware is not provided). Do not mount in any other orientation.
- For indoor use only.
- Install in accordance with all national and local electrical codes.



A = 11 3/4"  
B = 8"  
C = 4 3/4"



BOTTOM VIEW



TOP VIEW



1221 Admiral Street  
Richmond, VA 23220

LuXoutShades.com  
Office: 800.817.1204

PROJECT: \_\_\_\_\_  
 SPECIFIER: \_\_\_\_\_  
 CONTRACTOR: \_\_\_\_\_  
 SUPPLIER: \_\_\_\_\_  
 DATE: \_\_\_\_\_ REVISED: \_\_\_\_\_

# SED Power Panel Installation Instructions

## 3 Line Voltage Wiring

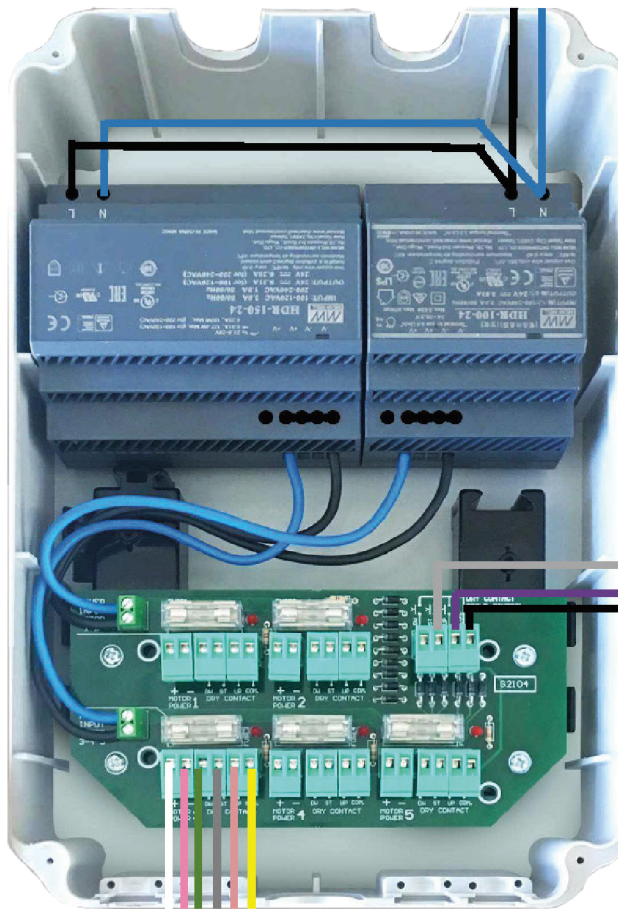
3A

### ⚠ WARNING

**SHOCK HAZARD. Risk of serious injury or death. Locate and lock the supply breaker in the OFF position before wiring to the screw blocks.**

Note: Maximum of 2 LSPP-24V-10A-5S power supplies per 20 A breaker, or 1 per 15A breaker.

1. Turn power off to circuit breaker.
2. Plug provided power cord into wall socket.



LUXOUT SHADES

1221 Admiral Street  
Richmond, VA 23220

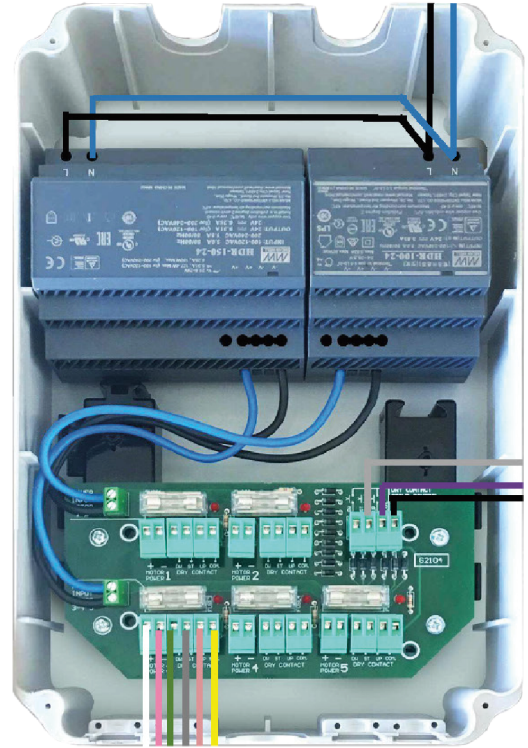
LuXoutShades.com  
Office: 800.817.1204

PROJECT: \_\_\_\_\_  
SPECIFIER: \_\_\_\_\_  
CONTRACTOR: \_\_\_\_\_  
SUPPLIER: \_\_\_\_\_  
DATE: \_\_\_\_\_ REVISED: \_\_\_\_\_

# S E D Power Panel Installation Instructions

## 4 Low Voltage Wiring

**4A** **⚠ WARNING** **SHOCK HAZARD.**  
**Risk of serious injury or death.**  
**Locate and lock the supply breaker**  
**in the OFF position before wiring**  
**to the terminal blocks.**



Note: All secondary wiring must be type CL2, CL2P, CL2R, CL2X or other cable with equivalent or better electrical, mechanical, and flammability ratings in accordance with local and notional electric code.

1. Turn off power to the panel.
2. Route the wire through the strain reliefs and to the output terminal blocks.
3. Strip the wire insulation so that 0.25 in of bare wire is exposed. Insert the Common leads into the (-) Terminal screw and the +24 V leads into the (+) Terminal screw. Tighten the terminal blocks to 3.5 - 5in•lb (0,4, -0,6 N•m). Make sure the wire insulation is not pinched.
4. Close metal cover securely back onto the enclosure and tighten the screws.
5. Restore power to the panel.

## Wire Length Chart

Use this chart to determine the maximum wire length, from panel to shade, based on the gauge of the wire that is used.

	16 AWG (1.5 mm <sup>2</sup> )	18 AWG (1 mm <sup>2</sup> )
Distance to shade	200 ft (60 m)	125 ft (35 m)



1221 Admiral Street  
 Richmond, VA 23220

LuXoutShades.com  
 Office: 800.817.1204

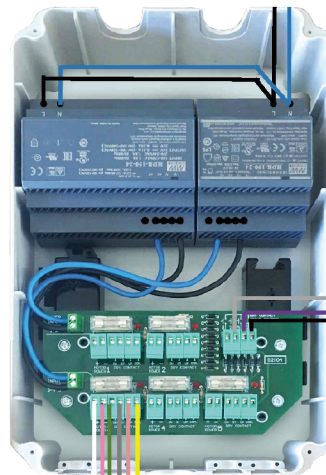
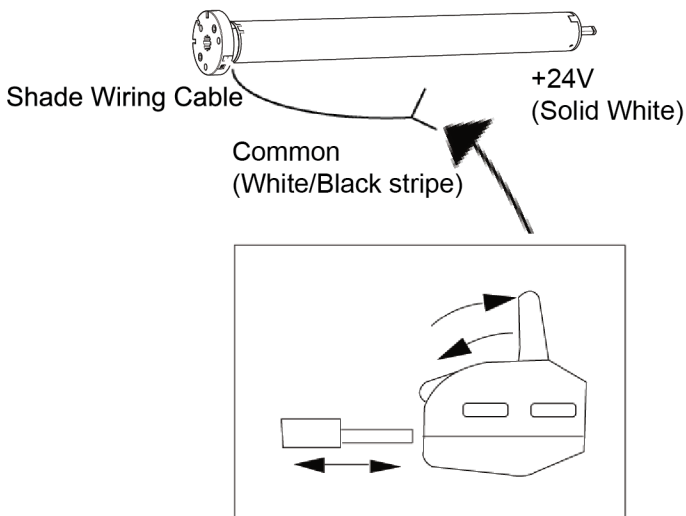
PROJECT: \_\_\_\_\_  
 SPECIFIER: \_\_\_\_\_  
 CONTRACTOR: \_\_\_\_\_  
 SUPPLIER: \_\_\_\_\_  
 DATE: \_\_\_\_\_ REVISED: \_\_\_\_\_

# SED Power Panel Installation Instructions

## 5 Shade Wiring

**5A** **⚠ WARNING SHOCK HAZARD.**  
**Risk of serious injury or death.**  
**Locate and lock the supply breaker**  
**in the OFF position before wiring to**  
**the terminal blocks.**

1. Turn off power at the circuit breaker.
2. Route the LV wiring to the shade so the connection to the shade wiring can be concealed in the shade headbox. LV wiring may be routed into the headbox either by dropping the wire in through the top of the headbox, or drilling a hole in the shade endcap.
3. Identify the shade wiring cable.
4. Remove 0.25 in (6.3 mm) of the insulation from both the white and white/black wires.
5. Connect the wires to the shade cable using the provided wire connectors.
6. Restore power to the Power Panel and confirm that the shade is energized. Refer to the LuXout Shade Installation and Programming guide for programming and operating instructions.



Connect the secondary wiring to the shade wiring cable via wire connectors provided.  
- Connection should be concealed within headbox.



1221 Admiral Street  
Richmond, VA 23220

LuXoutShades.com  
Office: 800.817.1204

PROJECT: \_\_\_\_\_  
SPECIFIER: \_\_\_\_\_  
CONTRACTOR: \_\_\_\_\_  
SUPPLIER: \_\_\_\_\_  
DATE: \_\_\_\_\_ REVISED: \_\_\_\_\_