

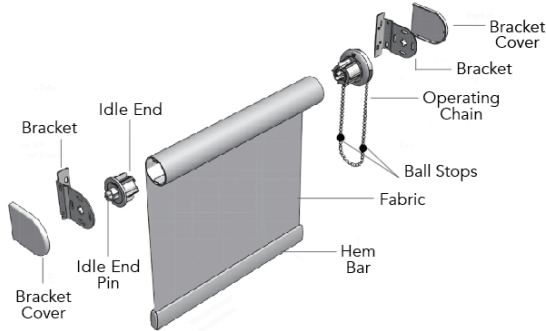
INSTRUCTIONS

Designer Roller Shade Installation

No Headbox

LuXout  **Shades**

DESIGNER ROLLER SHADE INSTALLATION INSTRUCTIONS (No Headbox)



Thank you for placing your order with
LuXout Shades.

**Please read these installation instructions
before installation and carefully inspect all products
before disposing of the box.**

Getting Started

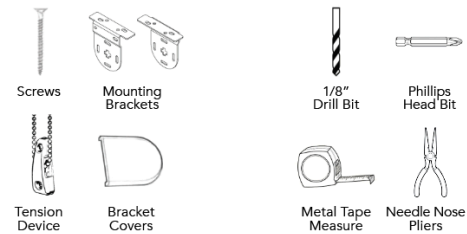
Carefully unpack your shades and check to make sure you have the following installation parts. We recommend reading through these instructions before starting the installation.

Parts Included:

- Screws (4)
- Mounting brackets (2)
- Tension Device (child safe)
- Bracket Covers (2)

Tools You Will Need:

- Drill with a 1/8" Drill Bit & Phillips Head Bit
- Phillips Screwdriver
- Metal Tape Measure
- Needle Nose Pliers

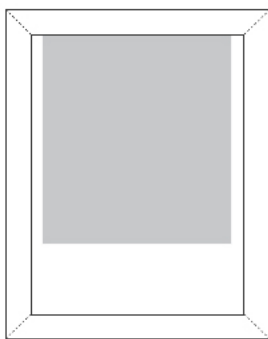


Please note that your brackets must be securely attached to the mounting surface. If your screws do not hit wood studs, you may have to use a different fastener which can be found at any local hardware store.

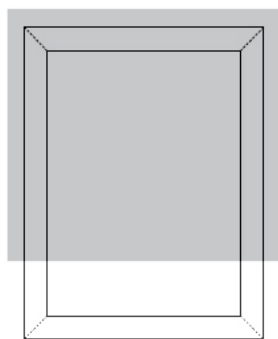
- * According to the Window Covering Manufacturers Association Inc., all labels must not be removed from the product.
- * To comply with child safety standards, all tension devices must be installed per the installation instructions provided in step 3.

1. Determine How You Want to Install: Inside (A) or Outside Mount (B)

There are 6 easy ways to install brackets.
Choose which is best suited for your situation.



Inside Mount
A



Outside Mount
B

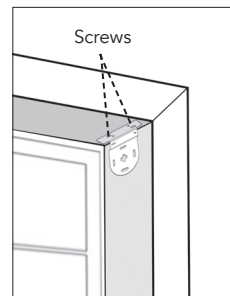
Attach the brackets to the window frame, window molding, wall or ceiling, as shown in **Steps 1A** and **1B**. Brackets are universal so control may be mounted on either side. It should be noted however, that shade is made to be one side or other as ordered.

1A. Installing Brackets

Inside Mount

Option #1

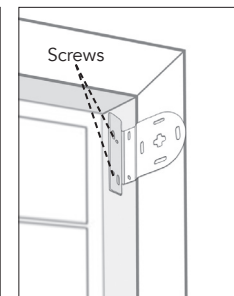
1A.1 To mount through side or top of bracket, pre-drill marked indentations using 1/8" bit then install screws to secure.



JAMB MOUNT
UPWARD

Option #2

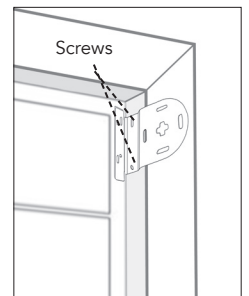
1A.2 With bracket in place, drill screws into window jamb through pre-drilled holes to secure.



MOUNT
ON FRAME

Option #3

1A.3 For windows that do not have enough depth to install the bracket completely inside the window, position bracket straight on and install screws into side through pre-drilled holes.



SIDE JAMB
MOUNT

INSTRUCTIONS

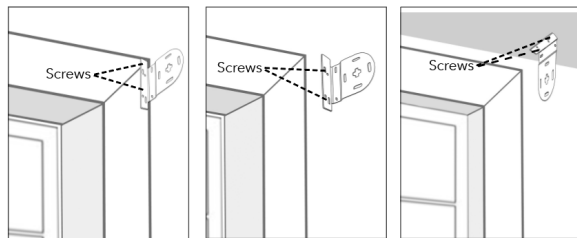
Designer Roller Shade Installation

No Headbox

1B. Installing Brackets Outside Mount

- Fit the shade into the brackets and center the shade over the window (this may take two people).
- With a pencil, mark the wall on the side of one bracket. Remove shade and then attach the one bracket with two screws.
- Next, insert the shade into the second bracket. Hold shade up and insert other end into the already mounted bracket making sure that the shade is level.
- Mark the wall on the side of the second bracket. Remove shade, install second bracket with two screws.

With bracket in place, drill screws through pre-drilled holes to secure.



CASING/FRAME MOUNT

OUTSIDE MOUNT ON WALL

CEILING MOUNT

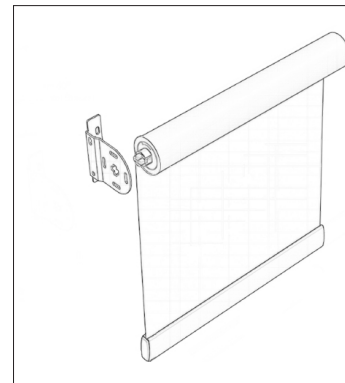
Proceed to Step 2

2. Inserting Shade in Bracket

With the brackets now installed, you may install your shade.

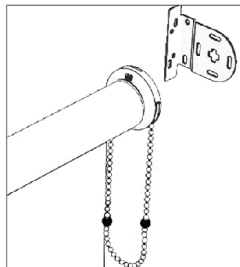
Step 2A:

Put the spring loaded idle end pin into the cross (+) hole of the bracket. Pushing the pin end towards its bracket, insert the outer hook on the operator side straight into the (+) slots in the opposite bracket.



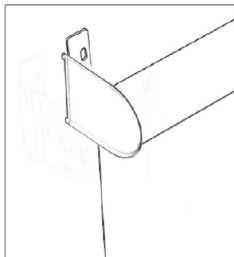
Step 2B:

Once the center hook is through the (+) slot, gently pull down on the operator until the hook has locked securely to the bracket.



Step 2C:

Snap bracket covers on mounting brackets.



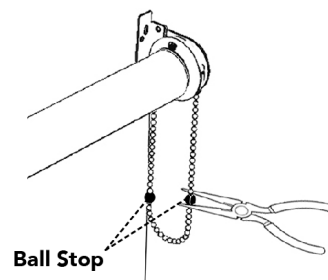
*** Please Note:** Roller shades are not meant to be lowered past the ordered length. The shade will come with additional material that is automatically added in length to conceal the roller tube and to help secure the fabric on the roll. We have included metal ball stops for the chain to be added by your installer to set shade limits and prevent the shade from being raised or lowered past its limits.

3. Finishing the Install

3A. Manual Chain Operated Shade

With the shade now installed, mount the chain tensioner.

- Mount the chain tension device (refer to separate instructions provided with the chain tension device). (see fig. 3A.1)
- Pull the chain to move the shade to be desired closed position (Note the side being pulled).
- On the opposite side, place a ball stop on the bead closest to the clutch. Use needle nose pliers to clamp ball stop in place.
- Pull the chain to move the shade to the desired open position (note the side that is being pulled).



- On the opposite side, place a ball stop on the bead closest to the clutch. Use needle nose pliers to clamp ball stop in place.

INSTRUCTIONS

Designer Roller Shade Installation

No Headbox

3A.1 Installing the Tension Device (Continuous Loop Control)

Consider Position of Tension Device:

The tension device should be positioned on the window frame or the wall so that the tension device and bead chain do not interfere with operation of window treatment.

- The tension device should be installed so that bead chain is taut without stretching or pulling down on it.
- Stretching the bead chain will cause excessive wear.
- Do not twist or cross the bead chain.

Please refer to Chain Tension Device Installation Instructions (included)

fig. 3A.1



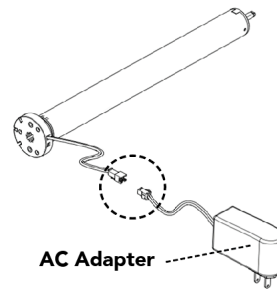
Tension Device

3B. Finishing the Install Motorized Shade

With the shade now installed, you may check the preset limits of your shade.

Note: Initial limits have been set in factory. Use the motor controller instructions to fine tune.

- Please refer to the separate motor instructions that are specific to your motor.
- Power-up the motor if not a rechargeable battery motor. Rechargeable battery motors are charged in the factory.
- Set the upper and lower limits to desired levels if not already set correctly or need adjustment.
- Setup motor shade controls. (Initial setup is done at the factory with each shade in a room assigned to a different channel for individual control or grouped as you select. Each channel has a blue LED light. All shades with an LED light will operate when using the controller.)



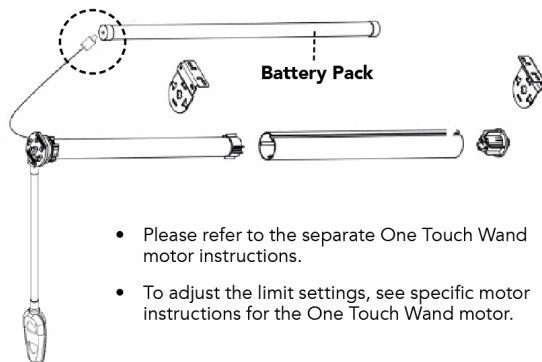
See channel guide for each controller.

3C. Finishing the Install One Touch Wand Shade

With the shade now installed, you may check preset limits of your shade.

Note: Initial limits have been set in factory. Use instructions to fine tune.

- Attach the battery pack to the motor.
- Please refer to the separate One Touch Wand motor instructions.
- To adjust the limit settings, see specific motor instructions for the One Touch Wand motor.



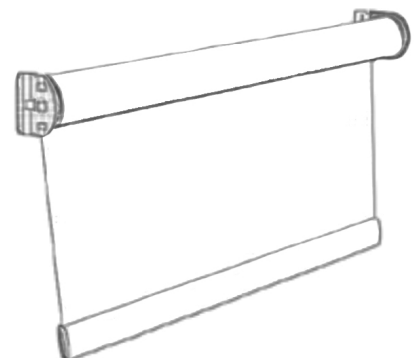
- Please refer to the separate One Touch Wand motor instructions.
- To adjust the limit settings, see specific motor instructions for the One Touch Wand motor.

3D. Finishing the Install Spring Shade

With the shade now installed, you may use your shade.

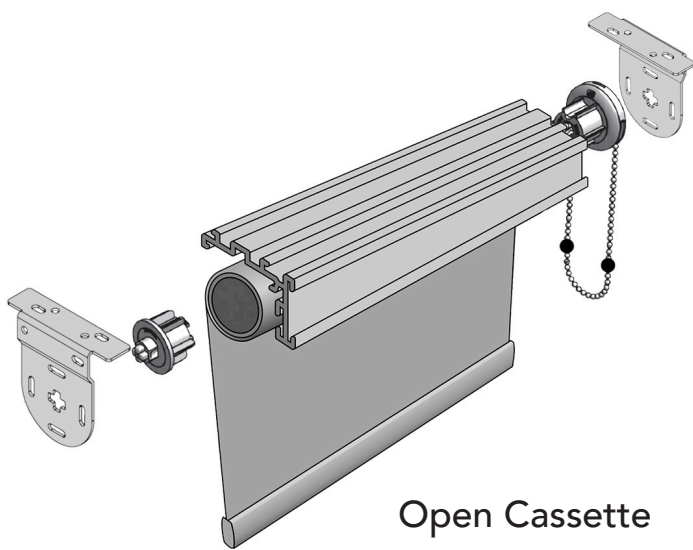
Note: Initial limits have been set in factory. Use instructions to fine tune.

- Please refer to the separate spring instructions to adjust spring operation.
- Before operating the shade, be sure to first pull out the spring locking pin.
- To test shade operation, tilt the hem bar slightly and pull to raise.

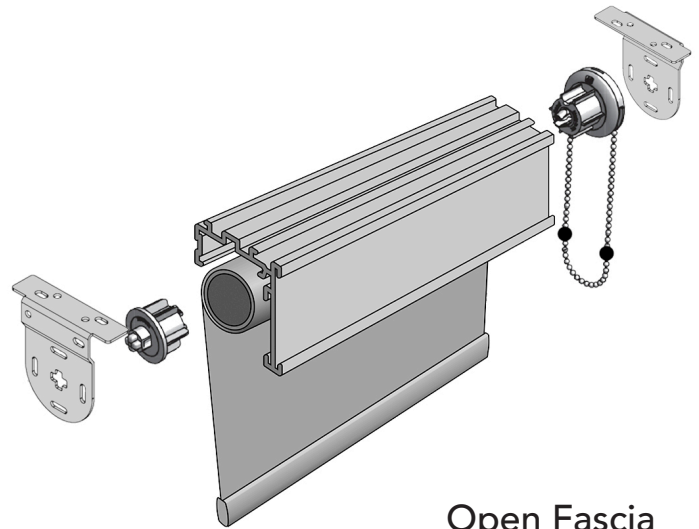


INSTRUCTIONS

Open Cassette & Open Fascia Installation



Open Cassette



Open Fascia

Getting Started:

We recommend reading through these instructions before starting the installation. Carefully unpack your shades and check to make sure you have the following installation parts.

Parts Included:

- Screws
- Mounting Brackets
- Tension Device (if not motorized)

Please note that your brackets must be securely attached to the mounting surface. If your screws do not hit wood studs you will need to use a different fastener which can be found at any local hardware store.

Tools You Will Need:

- Drill with a 1/8" Phillips Head bit & a 1/4" hex head bit
- Level
- Metal tape measure

* According to the Window Covering Manufacturers Association Inc., all labels must not be removed from the product.

* To comply with Child Safety Standards, all tension devices must be installed per the installation instructions provided in Step 5.

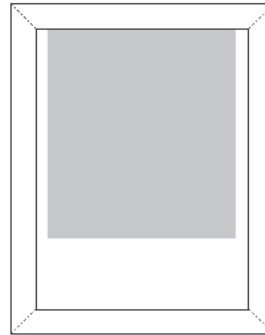
INSTRUCTIONS

Open Cassette & Open Fascia Installation

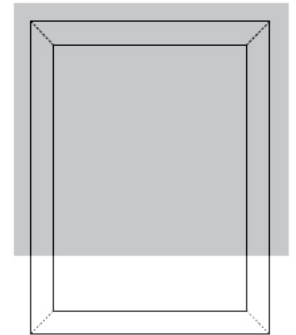
1. Determine How You Want to Install: Inside (A) or Outside Mount (B)

There are 6 easy ways to install brackets.
Choose which is best suited for your situation.

Attach the brackets to the window frame,
window molding, wall or ceiling, as shown in
Steps 2A and **2B**. Brackets are universal so
control may be mounted on either side. It should
be
noted however, that shade is made to be
one side or other as ordered.



Inside Mount
A



Outside Mount
B

2. Positioning Brackets

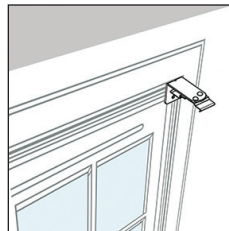
2A. Face Mounting Brackets



FACE MOUNT BRACKET

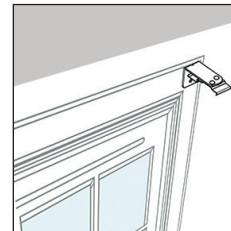
OR

Option #1



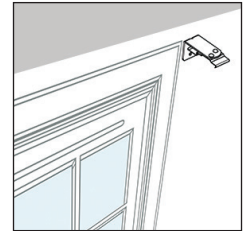
JAMB MOUNT

Option #2



FRAME MOUNT

Option #3



WALL MOUNT

2B. Top Mounting Brackets



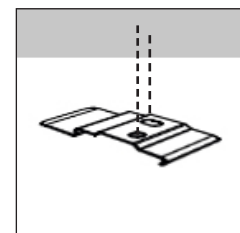
TOP MOUNT BRACKET

Option #1



JAMB CEILING
MOUNT

Option #2



CEILING
MOUNT

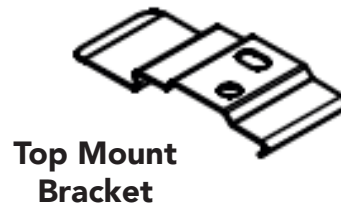
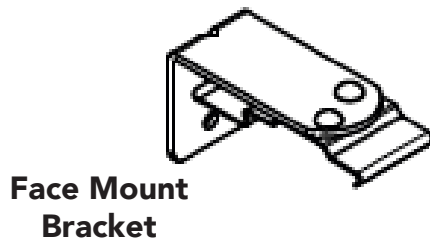
INSTRUCTIONS

Open Cassette & Open Fascia Installation

Step 3: Install Mounting Brackets

- If installing into wood use the wood screws provided
- Brackets should be installed within six inches from each end, and at every two foot increments of the cassette.

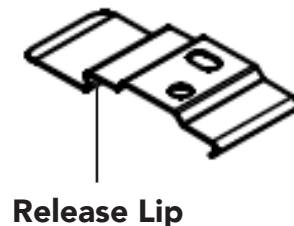
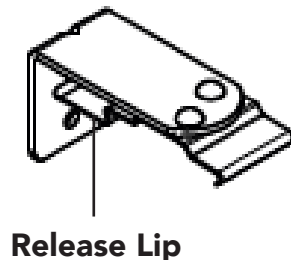
There are two bracket options for open cassette and open fascia shades: Face or Top mount.



For a shade up to 36" wide, attach two brackets mounted approximately 3" from each end of the shade. Any intermediate brackets should be spaced evenly between these and as a general rule:

Up to 36" = 2 brackets
36" to 72" = 3 brackets
72" to 108" = 4 brackets
Over 108" = 5 brackets

The bracket release lip on the bracket must face the back of the shade.



Mark the hole positions before drill and screwing if necessary. Use two screws in each bracket ensuring that the brackets are level. Remember to allow room for the shade to clear any obstacles when deployed, e.g. door or window handles.

INSTRUCTIONS

Open Cassette & Open Fascia Installation

Step 4: Mounting the Headbox

Once all the brackets are in place, install the headbox into the brackets.

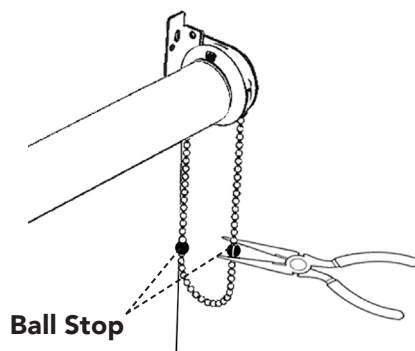
- Hook the front rail of the cassette on the bracket.
- Rotate the back of the cassette up and snap into place.
- If the cassette is longer than four feet, use two people to install.



5. FINISHING THE INSTALL

5A. Manual Chain Operated Shade

- Mount the chain tension device (refer to separate instructions provided with the chain tension device). (see fig. 5A.1)
- Pull the chain to move the shade to be desired closed position (Note the side being pulled).
- On the opposite side, place a ball stop on the bead closest to the clutch. Use needle nose pliers to clamp ball stop in place.
- Pull the chain to move the shade to the desired open position (note the side that is being pulled).
- On the opposite side, place a ball stop on the bead closest to the clutch. Use needle nose pliers to clamp ball stop in place.



5A.1 Installing the Tension Device (Continuous Loop Control)

Consider Position of Tension Device:

The tension device should be positioned on the window frame or the wall so that the tension device and bead chain do not interfere with operation of window treatment.

- The tension device should be installed so that bead chain is taut without stretching or pulling down on it.
- Stretching the bead chain will cause excessive wear.
- Do not twist or cross the bead chain.

Please refer to Chain Tension Device Installation Instructions (included)

fig. 5A.1



INSTRUCTIONS

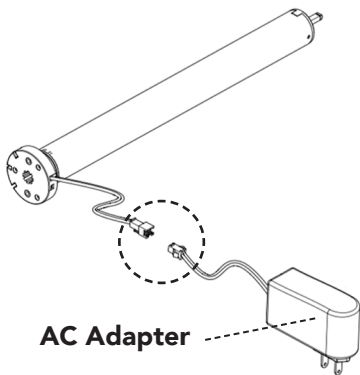
Open Cassette & Open Fascia Installation

5B. Finishing the Install Motorized Shade

With the shade now installed, you may check the preset limits of your shade.

Note: Initial limits have been set in factory. Use the motor controller instructions to fine tune.

- Please refer to the separate motor instructions that are specific to your motor.
- Power-up the motor if not a rechargeable battery motor. Rechargeable battery motors are charged in the factory.
- Set the upper and lower limits to desired levels if not already set correctly or need adjustment.
- Setup motor shade controls. (Initial setup is done at the factory with each shade in a room assigned to a different channel for individual control or grouped as you select. Each channel has a blue LED light. All shades with this LED light lit will operate when using the controller.)



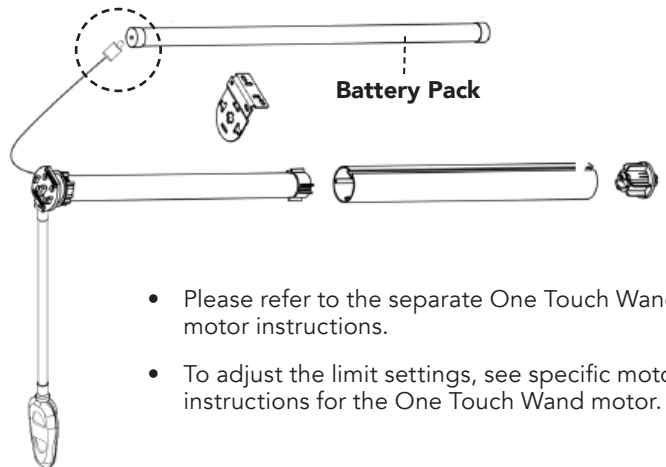
See channel guide for each controller.

5C. Finishing the Install One Touch Wand Shade

With the shade now installed, you may check preset limits of your shade.

Note: Initial limits have been set in factory. Use instructions to fine tune.

- Attach the battery pack to the motor.
- Please refer to the separate One Touch Wand motor instructions.
- To adjust the limit settings, see specific motor instructions for the One Touch Wand motor.



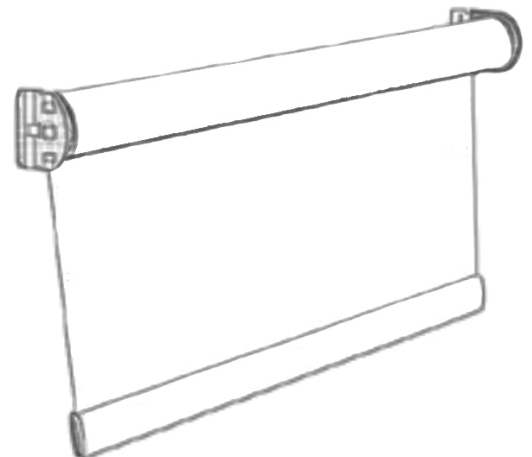
- Please refer to the separate One Touch Wand motor instructions.
- To adjust the limit settings, see specific motor instructions for the One Touch Wand motor.

5D. Finishing the Install Spring Shade

With the shade now installed, you may use your shade.

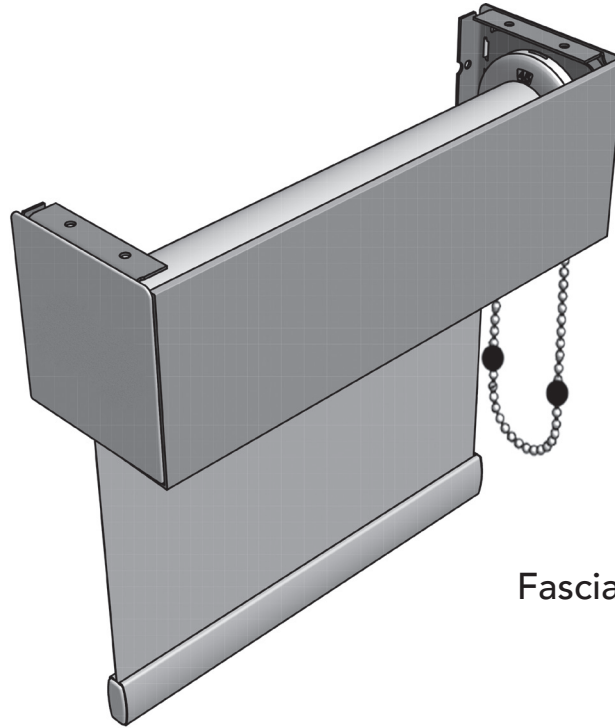
Note: Initial limits have been set in factory. Use instructions to fine tune.

- Please refer to the separate spring instructions to adjust spring operation.
- Before operating the shade, be sure to first pull out the spring locking pin.
- To test shade operation, tilt the hem bar slightly and pull to raise.



INSTRUCTIONS

Fascia Roller Shade Installation



Fascia Shade

Getting Started:

We recommend reading through these instructions before starting the installation. Carefully unpack your shades and check to make sure you have the following installation parts.

Parts Included:

- Screws
- Mounting Brackets
- Tension Device (if not motorized)

Please note that your brackets must be securely attached to the mounting surface. If your screws do not hit wood studs you will need to use a different fastener which can be found at any local hardware store.

Tools You Will Need:

- Drill with a 1/8" bit & a 1/4" hex head bit
- Level
- Metal tape measure

* According to the Window Covering Manufacturers Association Inc., all labels must not be removed from the product.

* To comply with Child Safety Standards, all tension devices must be installed per the installation instructions provided in Step 5.

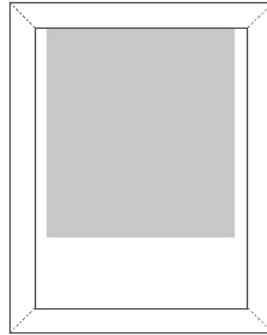
INSTRUCTIONS

Fascia Roller Shade Installation

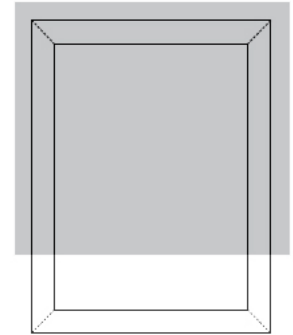
1. Determine How You Want to Install: Inside (A) or Outside Mount (B)

There are 5 easy ways to install brackets.
Choose which is best suited for your
situation.

Attach the brackets to the window frame,
window molding, wall or ceiling, as shown
in **Steps 1A** and **1B**. Brackets are universal
so control may be mounted on either side. It
should be noted however, that shade is made
to be one side or other as ordered.



Inside Mount
A



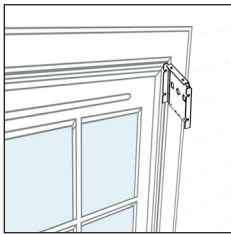
Outside Mount
B

1A. Face Mounting Brackets

- OR -

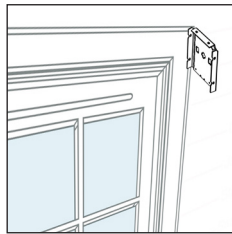
1B. Top Mounting Brackets

Option #1



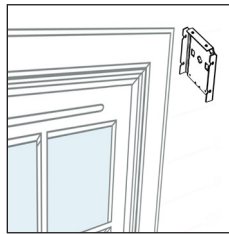
JAMB MOUNT

Option #2



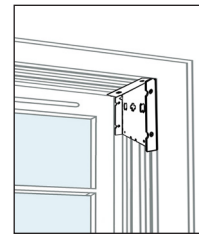
FRAME MOUNT

Option #3



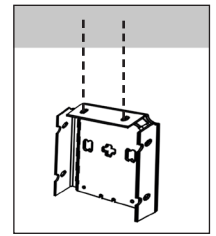
WALL MOUNT

Option #1



JAMB CEILING
MOUNT

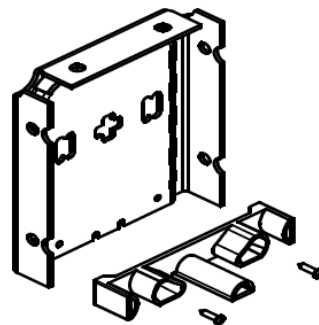
Option #12



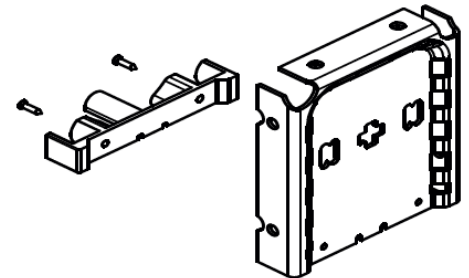
CEILING
MOUNT

2. Insert Chain Diverter (If Manual Clutch Shade)

The Fascia will have a
notch cut out of the
one end if the shade is
manually operated. The
notch is toward the clutch
to allow the chain to pass
through freely. Mount
chain diverter on the left
or right depending on
clutch side.



CHAIN DIVERTER - LEFT SIDE



CHAIN DIVERTER - RIGHT SIDE

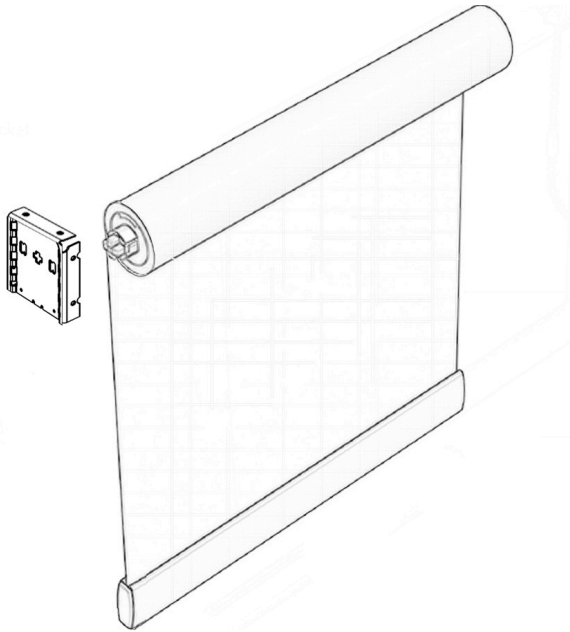
Fascia Roller Shade Installation

3. Inserting Shade in Bracket

With the brackets now installed, you may install your shade.

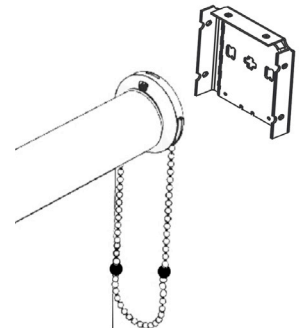
Step 3A:

Put the spring loaded idle end pin into the cross (+) hole of the bracket. Pushing the pin end towards its bracket, insert the outer hook on the operator side straight into the (+) slots in the opposite bracket.



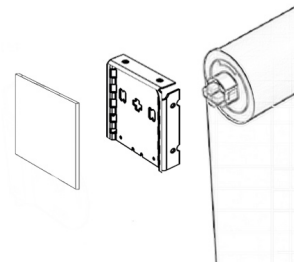
Step 3B:

Once the center hook is through the (+) slot, gently pull down on the operator until the hook has locked securely to the bracket.



Step 3C:

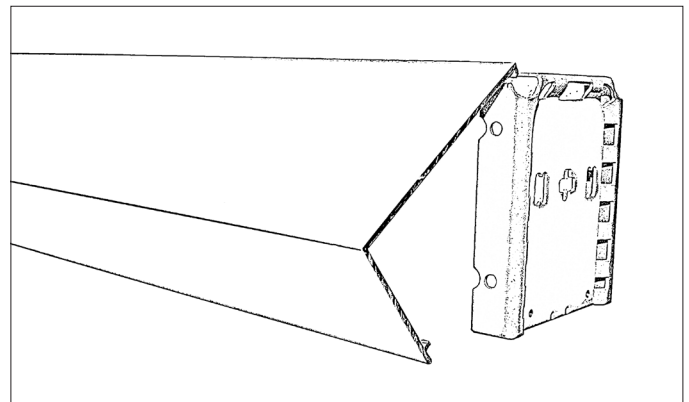
Snap bracket covers on mounting brackets.



*** Please Note:** Roller shades are not meant to be lowered past the ordered length. The shade will come with additional material that is automatically added in length to conceal the roller tube and to help secure the fabric on the roll. We have included metal ball stops for the chain to be added by your installer to set shade limits and prevent the shade from being raised or lowered past its limits.

4. Hanging the Headbox

- Hook the fascia on top the brackets and snap into place.
- The Fascia will have a notch cut out of the one end if the shade is manually operated. The notch is toward the clutch to allow the chain to pass through freely



INSTRUCTIONS

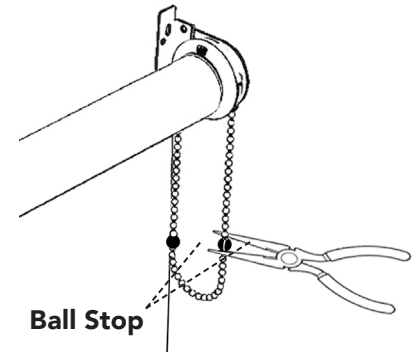
Fascia Roller Shade Installation

5. Finishing the Install

5A. Manual Chain Operated Shade

With the shade now installed, mount the chain tensioner.

- Mount the chain tension device (refer to separate instructions provided with the chain tension device). (see fig. 5A.1)
- Pull the chain to move the shade to be desired closed position (Note the side being pulled).
- On the opposite side, place a ball stop on the bead closest to the clutch. Use needle nose pliers to clamp ball stop in place.
- Pull the chain to move the shade to the desired open position (note the side that is being pulled).
- On the opposite side, place a ball stop on the bead closest to the clutch. Use needle nose pliers to clamp ball stop in place.



5A.1 Installing the Tension Device (Continuous Loop Control)

Consider Position of Tension Device:

The tension device should be positioned on the window frame or the wall so that the tension device and bead chain do not interfere with operation of window treatment.

- The tension device should be installed so that bead chain is taut without stretching or pulling down on it.
- Stretching the bead chain will cause excessive wear.
- Do not twist or cross the bead chain.

**Please refer to Chain Tension Device
Installation Instructions** (included)

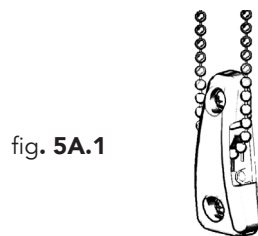


fig. 5A.1

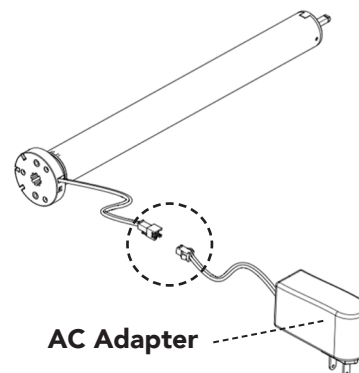
Tension Device

5B. Finishing the Install Motorized Shade

With the shade now installed, you may check the preset limits of your shade.

Note: Initial limits have been set in factory. Use the motor controller instructions to fine tune.

- Please refer to the separate motor instructions that are specific to your motor.
- Power-up the motor if not a rechargeable battery motor. Rechargeable battery motors are charged in the factory.
- Set the upper and lower limits to desired levels if not already set correctly or need adjustment.
- Setup motor shade controls. (Initial setup is done at the factory with each shade in a room assigned to a different channel for individual control or grouped as you select. Each channel has a blue LED light. All shades with an LED light will operate when using the controller.)



AC Adapter

**See channel guide for
each controller.**